

Quote # 1:



**Keep in mind all the quotes have flexibility and things can be altered if necessary.

**I believe ground level games deem playstructure inclusive.

References provided.

Site prepared by us.

Little Tikes PlayStructure. Will still require proper diagram and image of playstructure. CAD drawing. Great to work with and very responsive.


Product Total	\$17,686.00
Discount 20%	3,537.20
Product Total	\$14,148.80
Freight Estimate	\$1,300.00
Installation for 2021	\$7,300.00
Sub-total	\$22,748.80
HST	\$2,957.34
Total Investment	\$25,706.14

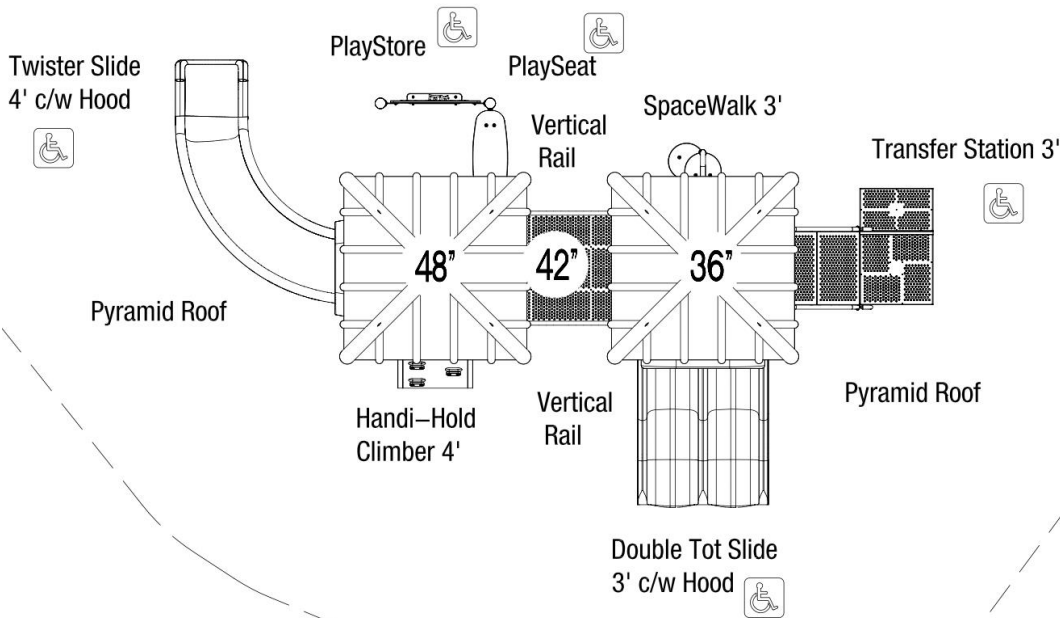


Quote #2:

Henderson®
Providing Playground Fun



Steering Wheel Panel 



Equipment:	20,870.00
Freight:	1,250.00
Installation:	Included
Supervision:	
Sub Total:	22,120.00
HST:	2,875.60
Total:	24,995.60

Henderson, great company.

Incredibly difficult to get this quote but once received it looked great.

Installation and PlayStructure included, no site preparation is included in this quote.

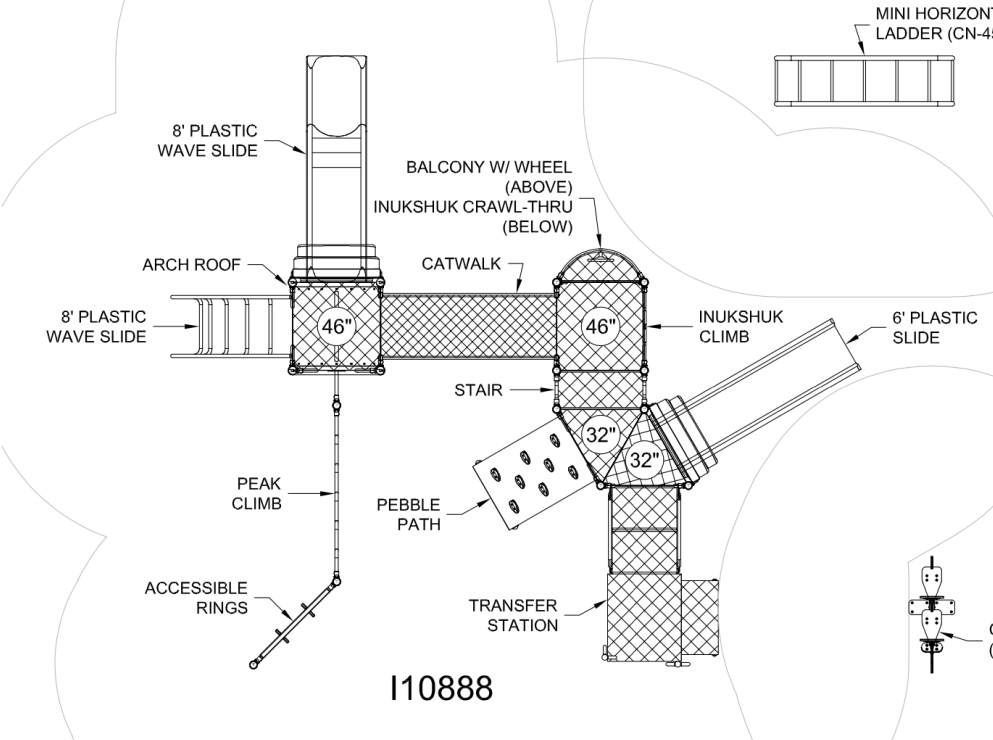
Better looking images.

Quote #3:



- Exceptionally detailed quote laying out different age groups and challenge of playstructure. Installation details, site prep if necessary.
 - Blue Imp appears to have similarities to Henderson. Established company.
 - References provided from Municipalities and School Principals.
- Site preparation cost provided. They took the request and added more to fit the space.
- Quote is the most expensive but most detailed. Offers the most games and is the largest of the playstructures.





As per Layout A08610 J07087 Area req: 1352sq.ft.			
I10888	IMP predrilled climb, slide, crawl overhead structure. Ages: 2-5 years	\$ 23,952.00	\$ 23,952.00
CN30-11	Cloud Chaser Spring Rider. Ages: 2-5 years	\$ 2,047.00	\$ 2,047.00
CN 451	Freestanding Mini Horizontal Ladder. Ages: 2-5 years	\$ 1,166.00	\$ 1,166.00
Equipment only total \$27,165.00 (plus tax)			
Freight	F.O.B. from Alberta to Buckhorn, ON location noted above. Will be confirmed at time of order. Valid for 30 days.	\$ 1,630.00	\$ 1,630.00
Site Work, Assembly & Installation			
Site preparation and Drainage	Site work preparation including excavation and disposal off site . Excavation depth required: 15" for Engineered Wood Fiber (EWF) surfacing and drainage. Grade and compact sub surface layer. Supply and install 3" clear stone base for drainage. Finished grade flush with grass.	\$ 5,455.00	\$ 5,455.00
Equipment installation	Installation of structures per layout noted, using C5 welded steel channel and freestanding posts will be installed with concrete footings at manufacturer's specified depth. Sono tubes are additional, if required.	\$ 9,075.00	\$ 9,075.00
Safety surfacing	Supply and Install 12" compacted depth of Engineered Wood Fiber (CSA accessibility compliant) over geo-textile filter cloth layer and 3" of 3/4" clearstone for drainage.	\$ 5,410.00	\$ 5,410.00
Inspection	3rd Party Safety inspection & CSA Z614-20 Certificate of Compliance. <i>*If required</i>	\$ 595.00	\$ 595.00
		Subtotal	\$ 49,330.00
		H.S.T.	\$ 6,412.90
		TOTAL	\$ 55,742.90

Quote #4:



Proudly Canadian Made

SUPPLY/INSTALL ONLY		
Quantity	Unit Price	Total Price
1	\$ 19,390.00	\$ 19,390.00
1	\$ 5,070.00	\$ 5,070.00
Subtotal Equipment	\$ 24,460.00	
Install	\$ 5,250.00	
Freight	\$ 1,580.00	
Sub total	\$ 31,290.00	
hst	13%	\$ 4,067.70
TOTAL INVOICE		\$ 35,357.70

- This company recently installed a playground in the City of Kawartha Lakes, Lindsay. Logie Street Park. Contact information obtained from City of Kawartha Lakes. Amazing person to work with.
- Ages 18months – 12 years
- No site preparation included in this quote.
- Ground level games included for inclusiveness.

